

Shiva®

Multi-laser Free Space Module

The Shiva® 2 or 3 laser module features an integrated optical plate designed with 2 or 3 laser channels that focus at the same focal plane. The focal plane can be adjusted to the user's preference, and the position of the beam spot is accurately manageable.

The output laser wavelengths include typical 405nm, 488nm, 532nm, 638nm and other customized wavelengths available upon request.

The Shiva multi-laser module has a high-performance beam co-alignment and wide pointing adjustment range. Ideal for flow cytometry with co-linear or separated beams.

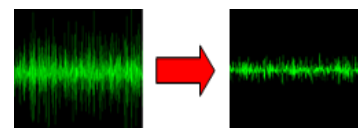
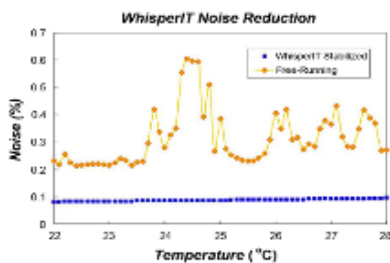


FEATURES

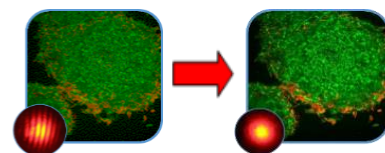
- Custom Focus beam
- Highly integrated
- Co-linear or separated beams
- User-adjustable
- Minimizes setup time
- Minimizes time/cost to market
- Custom wavelengths

APPLICATIONS

- Flow Cytometry
- Cell Sorting
- Diagnostics
- Medical Imaging
- Confocal Microscopy



Low Noise



Low Coherence

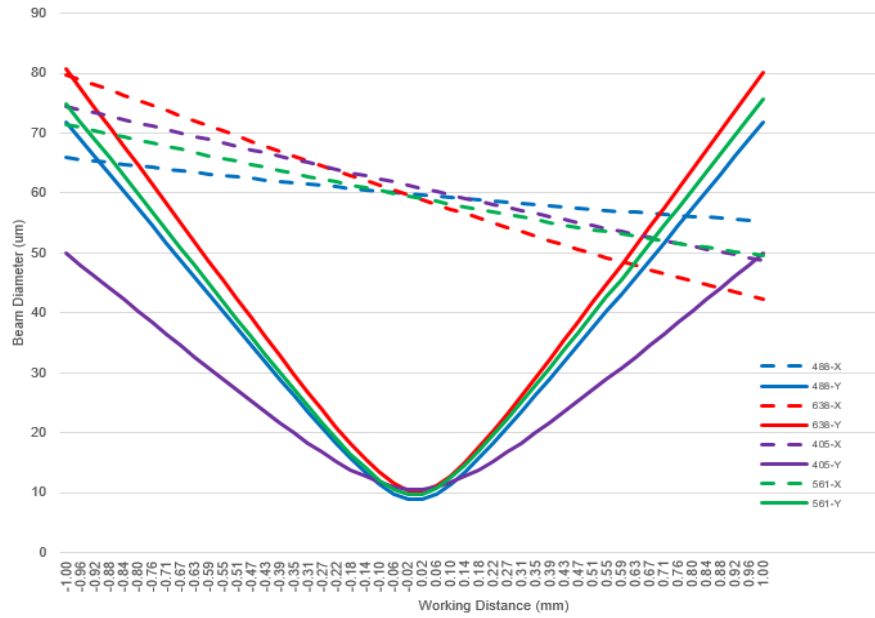
Product Specifications

Specifications		2 - laser	3 - laser
Wavelength (nm)*		488/638 532/638	488/638/405 532/638/405
Max. Output Power	638nm	100mW	100mW
	532nm	100mW	100mW
	488nm	100mW	100mW
	405nm	100mW	100mW
Long-term Power Stability (8hrs, ±3°C)		<2%	<2%
RMS Noise (20Hz - 2MHz)		<0.25%	<0.25%
Peak-to-Peak Noise (20Hz – 20kHz)		<1%	<1%
Beam Size	Collimated	0.5~3mm Circular or elliptical	0.5~3mm Circular or elliptical
	Focus Beam Size in Vertical (µm) (1/e ²)	10±2	10±2
	Focus Beam Size in Horizontal (µm) (1/e ²)	75±10	75±10
Focus Side-lobes Vertical (% of peak)		<3%	<3%
Laser out height From Base Plate (mm)**		54mm	54mm
Adjustable	Focus Adjustment (mm)	±3mm	±3mm
Size	L x W x H (mm)	245 x 150 x 88	245 x 223 x 88

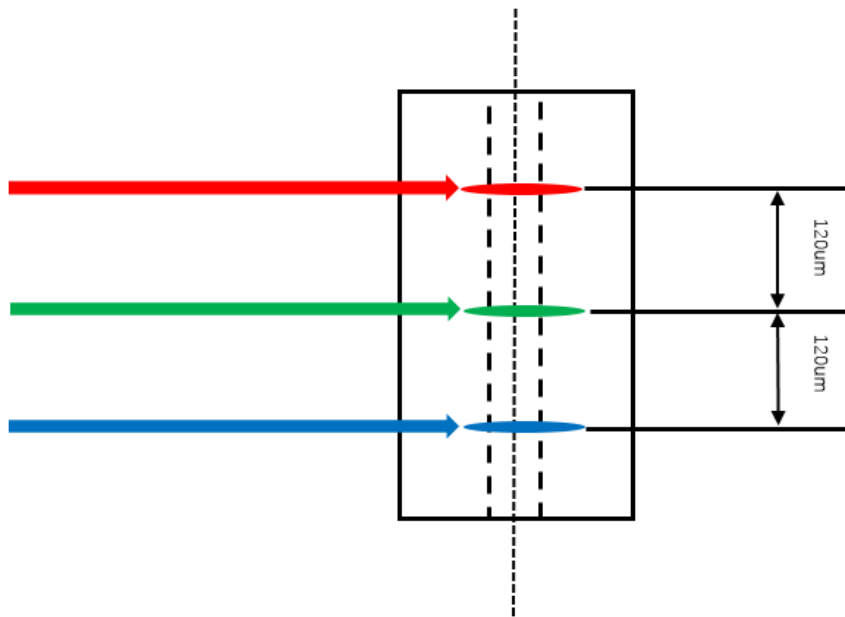
*Wavelength tolerance: 405nm±3nm; 488nm±3nm; 532nm±3nm; 638nm±5nm.

**Other combinations are available upon request.

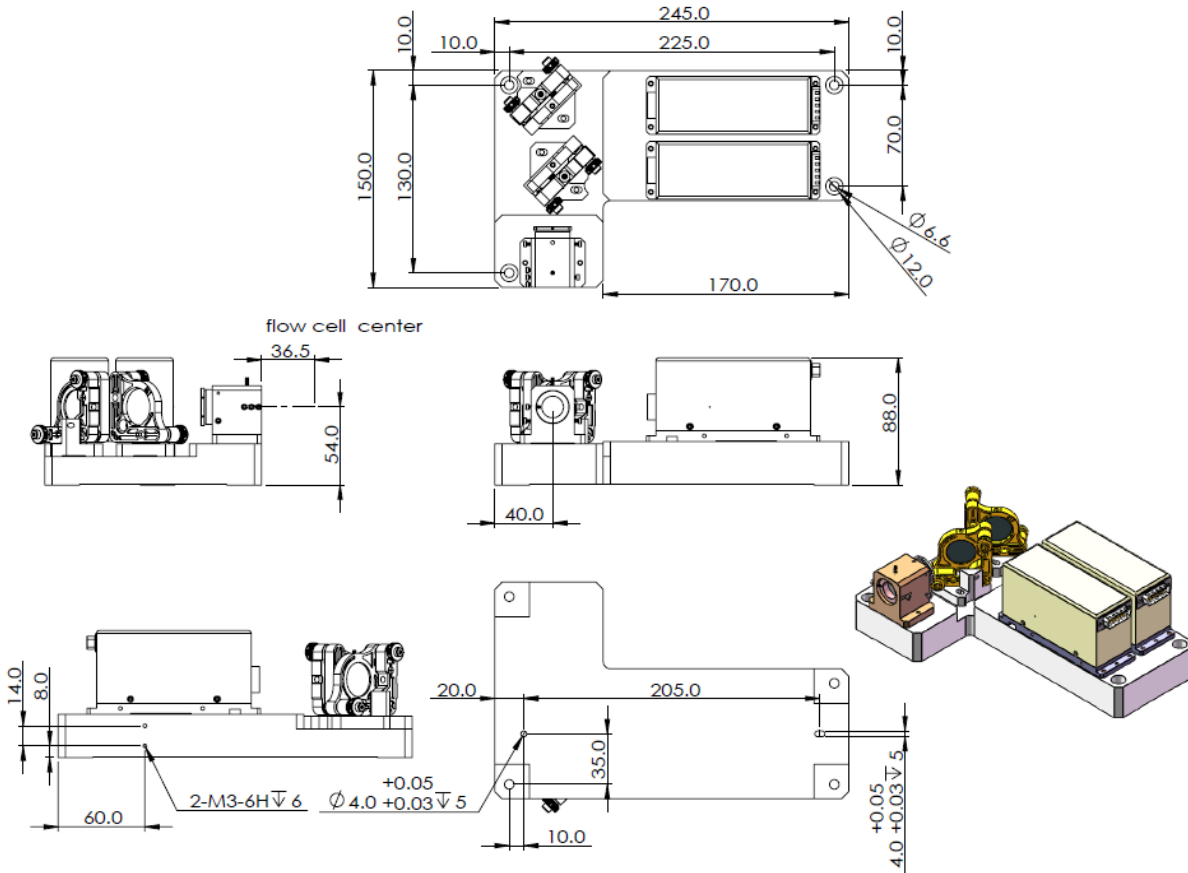
Nominal Optical Performance



3 lasers focus with separated positions, 0~150um spacing is available to offer upon request.



Mechanical Specifications



This OEM laser does not comply with 21 CFR 1040.10 and 1040.11 without appropriate integration. Please contact Pavilion Integration Corp. for additional support or questions.

ISO9001 & ISO13485 Registered

